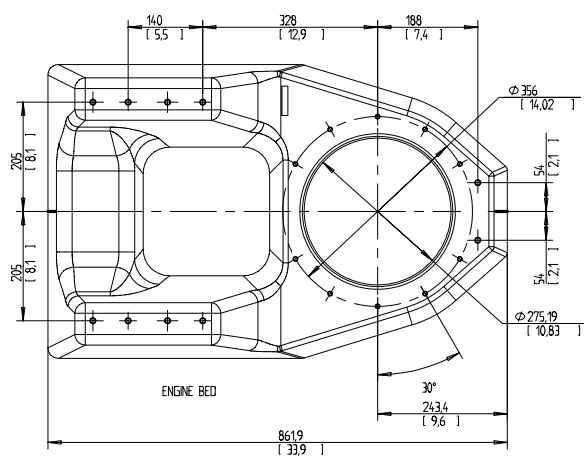
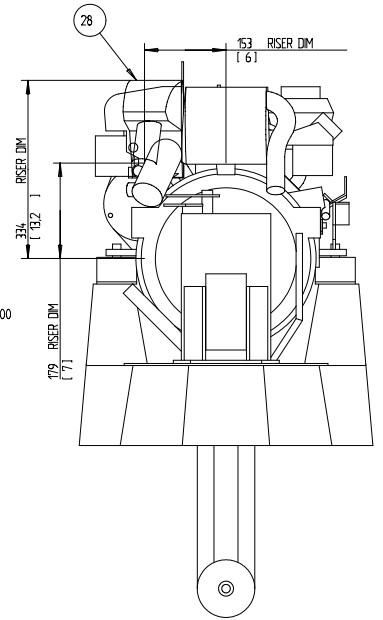
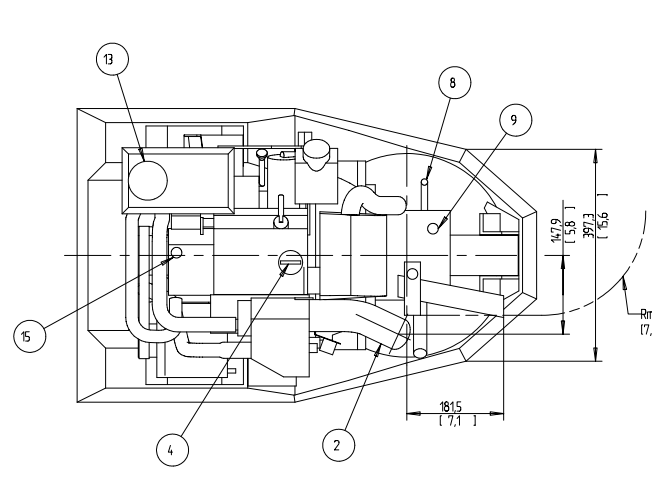


SCALE 15
 OIL CAPACITY INCLUDING OIL FILTER: 19 LITERS
 FRESHWATER SYSTEM CAPACITY: 2.7 LITERS
 WEIGHTS:
 DRY 123 kg
 OIL & WATER 128 kg
 DIMENSION IN MILLIMETRES AND (INCHES)

NR	ITEM
1	LIFTING DEVICE
2	EXHAUST ELBOW FOR HOSE ID 45(1.75)
3	AIR FILTER (SILENCER)
4	OIL FILLING
5	OIL DIPSTICK ENGINE
6	OIL FILTER
7	OIL DRAIN (WITH PUMP) ENGINE ID 8 (0.35)
8	OIL DIPSTICK REVERSE GEAR
9	OIL FILLER CAP REVERSE GEAR
10	OIL DRAIN REVERSE GEAR
11	SEAWATER INLET FOR HOSE ID 19(0.75)
12	SEA WATER PUMP
13	WATER FILLER CAP FRESH WATER
14	HOTWATER OUTLET
15	HOTWATER INLET
16	FUEL CONNECTION FOR HOSE ID 10 (3/8)
17	FUEL RETURN CONNECTION FOR HOSE ID 10 (3/8)
18	FUEL FILTER
19	SPEED CONTROL LEVER
20	CONNECTION BOX FOR EXTENSION CABLE
21	BATTERY MINUS (-) CONNECTION
22	PLUS (+) CONNECTION FOR CHARGING DISTRIBUTOR
23	STARTER BATTERY PLUS (+) CONNECTION
24	WATER DRAIN FRESH WATER
25	WATER DRAIN SEAWATER
26	AUTOMATIC FUSE RESET
27	HAND PRIMER PUMP
28	RISER (OPTIONAL)
29	CENTRE OF GRAVITY



SYMBOLS, DIMENSIONS AND GENERAL DRAWING METHODS STD 90-5400 AND STD 922500		
The capacity, availability and utilization of the equipment is subject to the conditions of its contract to deliver. It is not intended for use as a substitute for the manufacturer's instructions. It is not intended for use as a substitute for the manufacturer's instructions. It is not intended for use as a substitute for the manufacturer's instructions.		
VOLVO PENTA		Document No 3591386
ENGINE DIMENSIONS D1-13/130S		
Dimension Drawing		Sheet No 101

3591386-01 - Downloaded from www.volvo-penta.com 29/03/2015 16:28:44